



Victory 120 & 220

SPECIFICATIONS

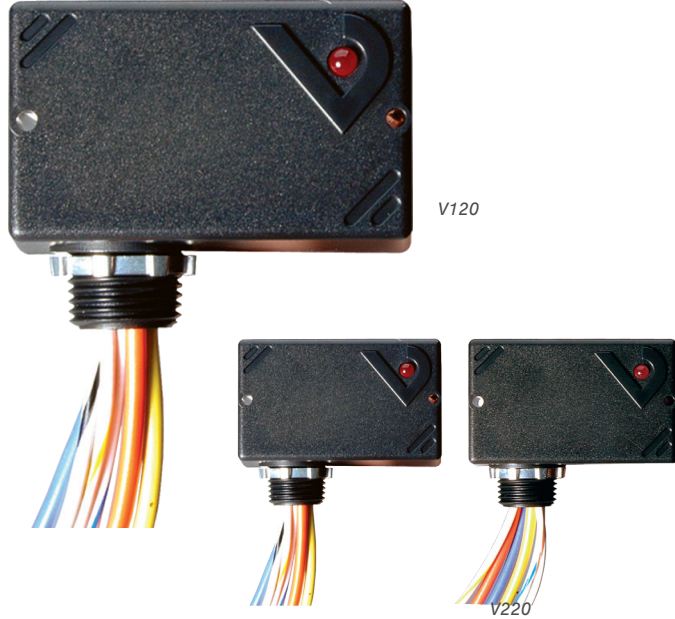
Operating Temp. Range	-34 to 55 °C (-29 to 131 °F)
Operating Humidity Range	10 to 90% RH non-condensing
Expected Relay Life	Electrical (@ rated current) 100,000 cycles; Mechanical (unpowered) 10,000,000 cycles
Relay Status	LED ON=energized
Insulation Class	600 Vac RMS
Agency Approvals	UL 508

WIRE SPECIFICATIONS

Lead Length	14" (356 mm) min.
Gauge	UL1015; Coil: 18 AWG; Contacts: 12 AWG

WARRANTY

Limited Warranty	5 years
------------------	---------



TYPICAL COIL PERFORMANCE

Voltage	Coil Current	
	AC	DC
24 V	75 mA	32 mA
120 V	42 mA	
208 V	36 mA	
277 V	49 mA	

CONTACT RATINGS

Resistive	20 A @ 277 Vac, 28 Vdc
Motor	120 Vac, 1 HP
	277, 2 HP
Pilot Duty	A300
Ballast	277 Vac, 20 A N.O.
	277 Vac, 10 A N.O.
Tungsten	120 Vac, 10 A N.O.
	120 Vac, 2 A N.O.

GREAT FOR EXTERNAL MOUNT APPLICATIONS

FEATURES

- Sleek field enclosure reduces the need for panel space
- The nipple mount feature allows the V120/220 Series to be mounted to any electrical enclosure easing installation
- HP Ratings make the V120/V220 ideal for control of fractional HP motors
- Flexible tinned stranded wire...fits easily in tight spaces and provides secure connections to wire nuts
- UL508 Listed...designed and listed for field installation...makes electrical inspection a snap

DESCRIPTION

The Victory 120 and 220 20 A SPDT enclosed relays combine a power duty relay with a high level of field-selectability and versatility. The devices are quick and easy to install using the threaded nipple mount. With no need for a dedicated field enclosure, this series is ideal for retrofit projects.

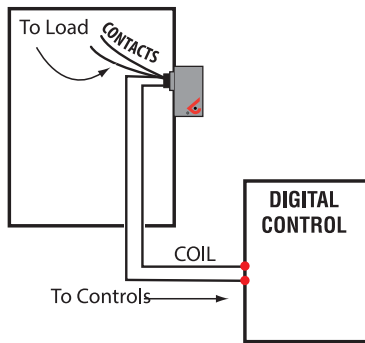
APPLICATIONS

- Command contactors
- Control motors
- Isolation
- Device interlocking
- Relay logic
- Sense voltages for alarm conditions

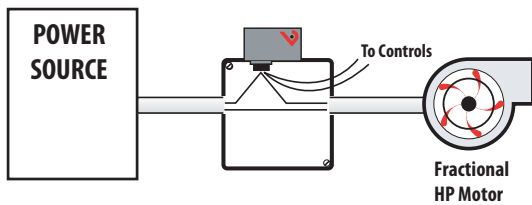


WIRING DIAGRAMS

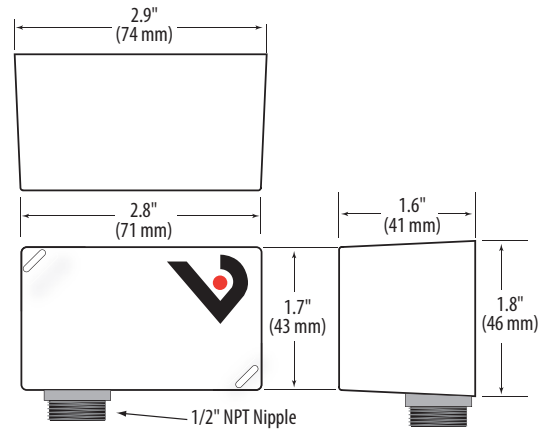
Nipple mount directly to a panel



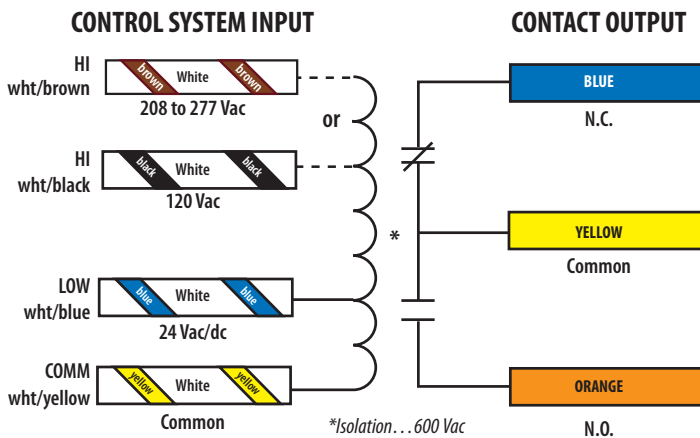
Nipple mount to 4x electrical box



DIMENSIONAL DRAWING



WIRE COLOR CODES



ORDERING INFORMATION



MODEL	RELAY	COIL	AMPERAGE RATING	RELAY POWER LED	UL
V120	SPDT	24 Vac/dc, 120 Vac	20 A	●	●
V220		24 Vac/dc, 208 to 277 Vac		●	●

Some devices are plenum rated per UL 1995...see White Paper VWPO1 at veris.com for details